

2 & 3-4 Rooms Multi

2 Rooms : AOYG14LAC2 / AOYG18LAC2

3 Rooms : AOYG18LAT3 / AOYG24LAT3

4 Rooms : AOYG30LAT4



Features

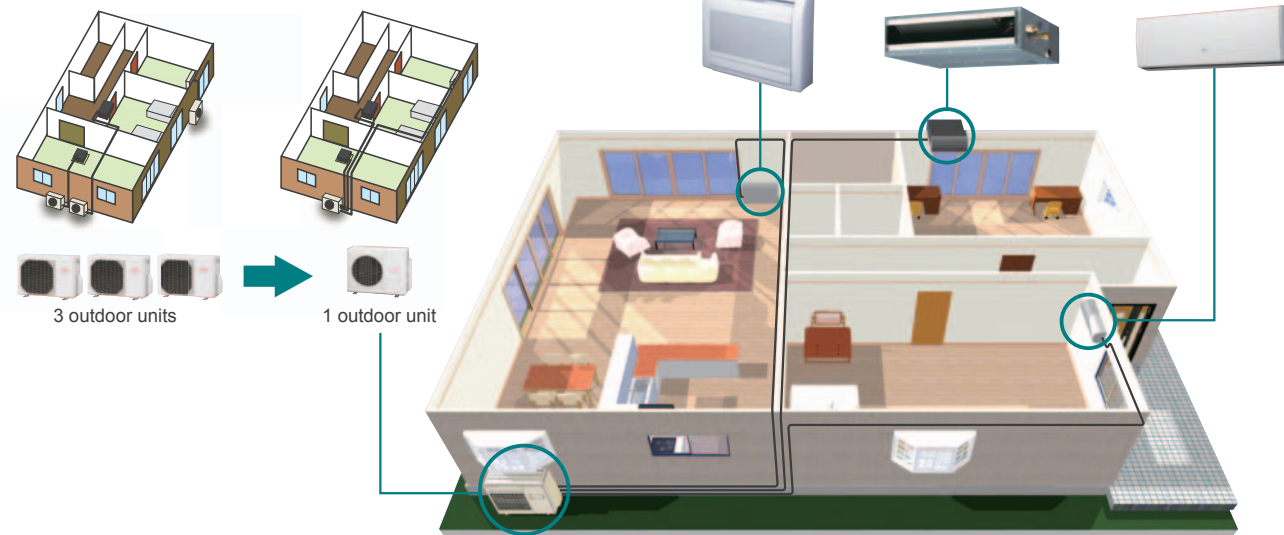
Space-saving installation

Multiple indoor units can be connected to 1 outdoor unit, and long piping connection is also possible. Compared with single type, the outdoor unit can be installed in various places to realize the space-saving installation.

Example:

Single type installation

Multi type installation



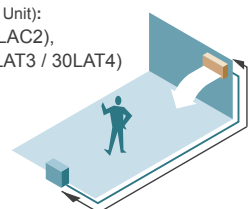
Wide range of indoor units with various models

8 types 28 models are lined up in the capacity range from 2 kW to 7 kW class. Wide range of needs can be met from rooms of private homes to large shops and hotels.

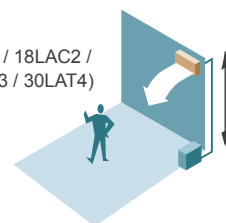
Flexible installation

Up to max. piping length of 70 m (AOYG30LAT4), max. height difference of 15 m can be supported. Multi type can be installed at large-size residence or buildings with multiple floors.

Max. Piping Length (Each Unit):
20 m (AOYG14LAC2 / 18LAC2),
25 m (AOYG18LAT3 / 24LAT3 / 30LAT4)



Max. Height:
15 m (AOYG14LAC2 / 18LAC2 /
 18LAT3 / 24LAT3 / 30LAT4)



Total Piping Length:
30 m (AOYG14LAC2 / 18LAC2),
50 m (AOYG18LAT3 / 24LAT3),
70 m (AOYG30LAT4)

Specifications (2 ROOMS, 3 ROOMS, 4 ROOMS)

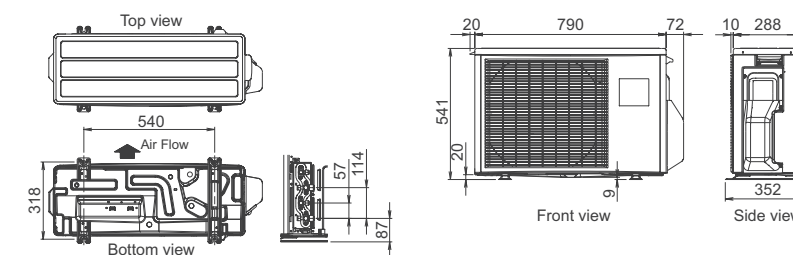
Model No.	Outdoor unit	AOYG14LAC2	AOYG18LAC2	AOYG18LAT3	AOYG24LAT3	AOYG30LAT4
Power Source	V/∅/Hz	230/1/50	230/1/50	230/1/50	230/1/50	230/1/50
Rated Capacity (min-max)	Cooling	4.0 (1.4-4.4)	5.0 (1.7-5.6)	5.4 (1.8-6.8)	6.8 (1.8-8.5)	8.0 (3.5-10.1)
	Heating	4.4 (1.1-5.4)	5.6 (1.8-6.1)	6.8 (2.0-8.0)	8.0 (2.0-8.8)	9.6 (3.7-12.0)
EER	Cooling	3.67	3.21	4.00	3.51	3.60
COP	Heating	4.27	3.97	4.20	4.00	4.00
Sound Pressure (High)	Cooling	47	50	46	48	50
	Heating	49	51	47	49	51
Sound Power (High)	Cooling	61	63	65	68	68
	Heating	63	64	67	70	70
Net Dimension H x W x D	mm	540x790x290	540x790x290	700x900x330	700x900x330	830x900x330
Weight	kg(lbs)	37 (82)	38 (84)	55 (121)	55 (121)	68 (150)
Piping Connections	Small (Liquid)	∅6.35x2	∅6.35x2	∅6.35x3	∅6.35x3	∅6.35x4 (*∅6.35x3, ∅9.52)
	Large (Gas)	∅9.52x2	∅9.52x2 *(∅9.52, ∅12.7)	∅9.52x2, ∅12.7 *(∅9.52x3)	∅9.52x2, ∅12.7 *(∅9.52x3)	∅9.52x2, ∅12.7x2 *(∅9.52x3, ∅12.7) *(∅9.52x2, ∅12.7, ∅15.88)
Max. Length	Total / Each	30 / 20	30 / 20	50 / 25	50 / 25	70 / 25
Max. Height Difference	Between Outdoor Unit and Each Indoor Units.	15	15	15	15	15
	Between Indoor Units.	10	10	10	10	10
Operation Range	Cooling	10 to 46	10 to 46	-10 to 46	-10 to 46	0 to 46
	Heating	-15 to 24	-15 to 24	-15 to 24	-15 to 24	-10 to 24
Refrigerant		R410A	R410A	R410A	R410A	R410A

* Connect to connection valve by the adapter.

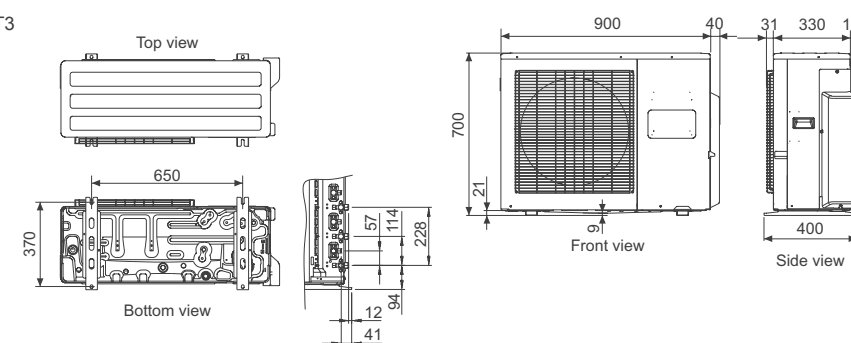
Dimensions

(Unit : mm)

Models : AOYG14LAC2 / AOYG18LAC2



Models : AOYG18LAT3 / AOYG24LAT3



Models : AOYG30LAT4

