

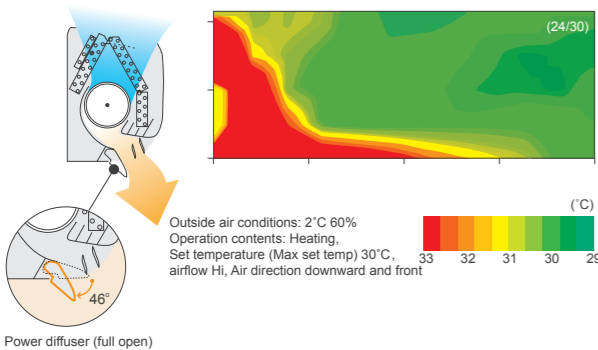
Simple & Elegant Appearance Design

CLASS ALL
A DC
ASYG18LF

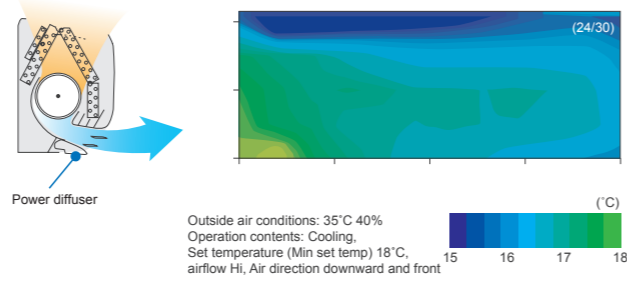
CLASS ALL
A DC
ASYG24LF

CLASS ALL
A DC
ASYG30LF

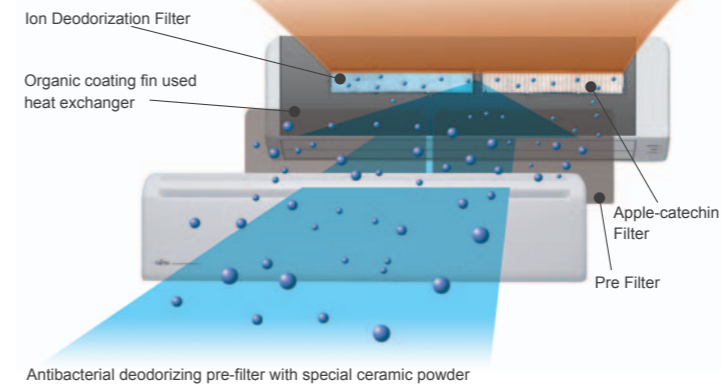
“Vertical airflow” provides powerful floor level heating



“Horizontal airflow” does not blow cool air directly at the occupants in the room



Air conditioner filter features



Long-life* Ion Deodorization Filter

The filter deodorizes by powerfully decomposing absorbed odors using the oxidizing and reducing effects of ions generated by the ultra-fine-particle ceramic.

(*The filter can be used for approx. 3 years if it is washed under water to restore its surface action when it is dirty.)

✦ Using different filters at both sides

Apple-catechin Filter

Fine dust, invisible mold spores, and harmful microorganisms are absorbed onto the filter by static electricity, and further growth is inhibited and deactivated by the polyphenol extracted from apples.

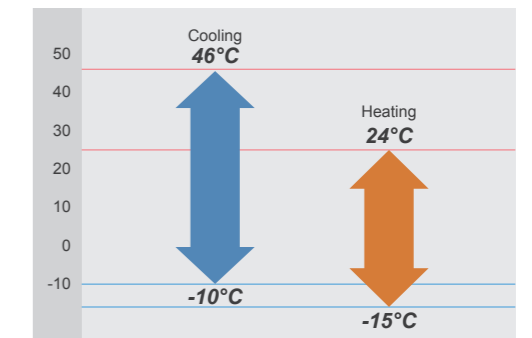
Flexible Installation

	18 type	24 type	30 type
Max. Piping Length	25m	30m	50m
Max. Height	20m	20m	30m

Easy maintenance

Simplification of drain pan cleaning improves maintenance-ability.

Low ambient operation



Optional parts

- Wired Remote Controller: UTY-RNNYM
- Simple Remote Controller: UTY-RSNYM
- External Connect Kit: UTY-XWZX

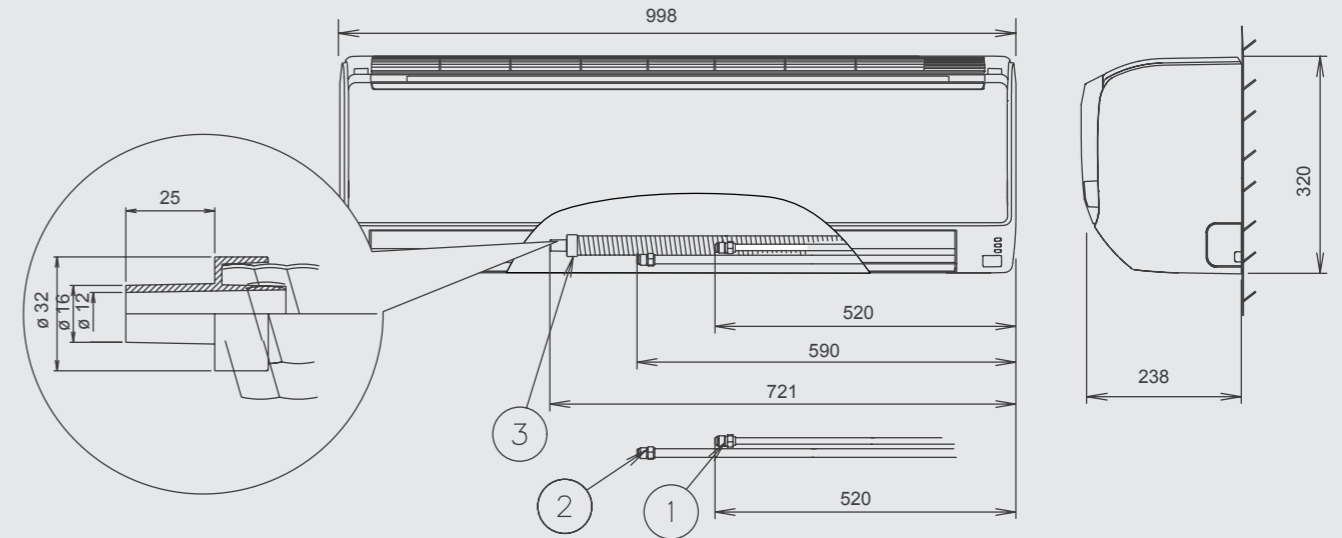
Specifications

Model No.	Indoor unit		ASYG18LF	ASYG24LF	ASYG30LF
	Outdoor unit		AOYG18LF	AOYG24LF	AOYG30LF
Power Source	V/Ø/Hz		230/1/50	230/1/50	230/1/50
Capacity	Cooling	kW	5.20(0.9~6.0)	7.10(0.9~8.0)	8.00(2.9~9.0)
	Heating	kW	6.30(0.9~9.1)	8.00(0.9~10.6)	8.80(2.2~11.0)
Input Power	Cooling/Heating	kW	1.52/1.71	2.20/2.21	2.49/2.44
EER - Energy Class	Cooling	W/W	3.42-A	3.23-A	3.21-A
COP - Energy Class	Heating		3.68-A	3.61-A	3.61-A
Running Current	Cooling/Heating	A	6.8/7.6	9.7/9.8	10.9/10.7
Moisture Removal		l/h	2.8	2.7	3.2
Noise (Indoor)	Cooling	H/M/L/Q	43/37/33/26	47/42/37/32	48/42/37/33
Noise (Outdoor)			51	52	53
Airflow Rate (High)	Indoor/Outdoor	m³/h	900/2070	1100/2340	1100/3600
		mm	320X998X238	320X998X238	320X998X238
Net Dimension H x W x D	Indoor	kg(lbs)	14(30.8)	14(30.8)	14(30.8)
	Outdoor	mm	620X790X298	578X790X315	830X900X330
		kg(lbs)	40(88)	43(95)	61(135)
Piping Connections (Small / Large)		mm	6.35/12.8	6.35/15.88	9.52/15.88
Drain Pipe Diameter (I.D./O.D.)		mm	12/16	12/16	12/16
Max Pipe Length (Pre-Charge)		m	25(15)	30(15)	50(20)
Height Difference			20	20	30
Operation Range	Cooling	°CDB	-10~46	-10~46	-10~46
	Heating		-15~24	-15~24	-15~24
Refrigerant			R410A	R410A	R410A

Dimensions

Models: ASYG18LF / ASYG24LF / ASYG30LF

(Unit : mm)



- ① Refrigerant pipe flare connection (Liquid)
- ② Refrigerant pipe flare connection (Gas)
- ③ Drain hose connection (Drain hose)